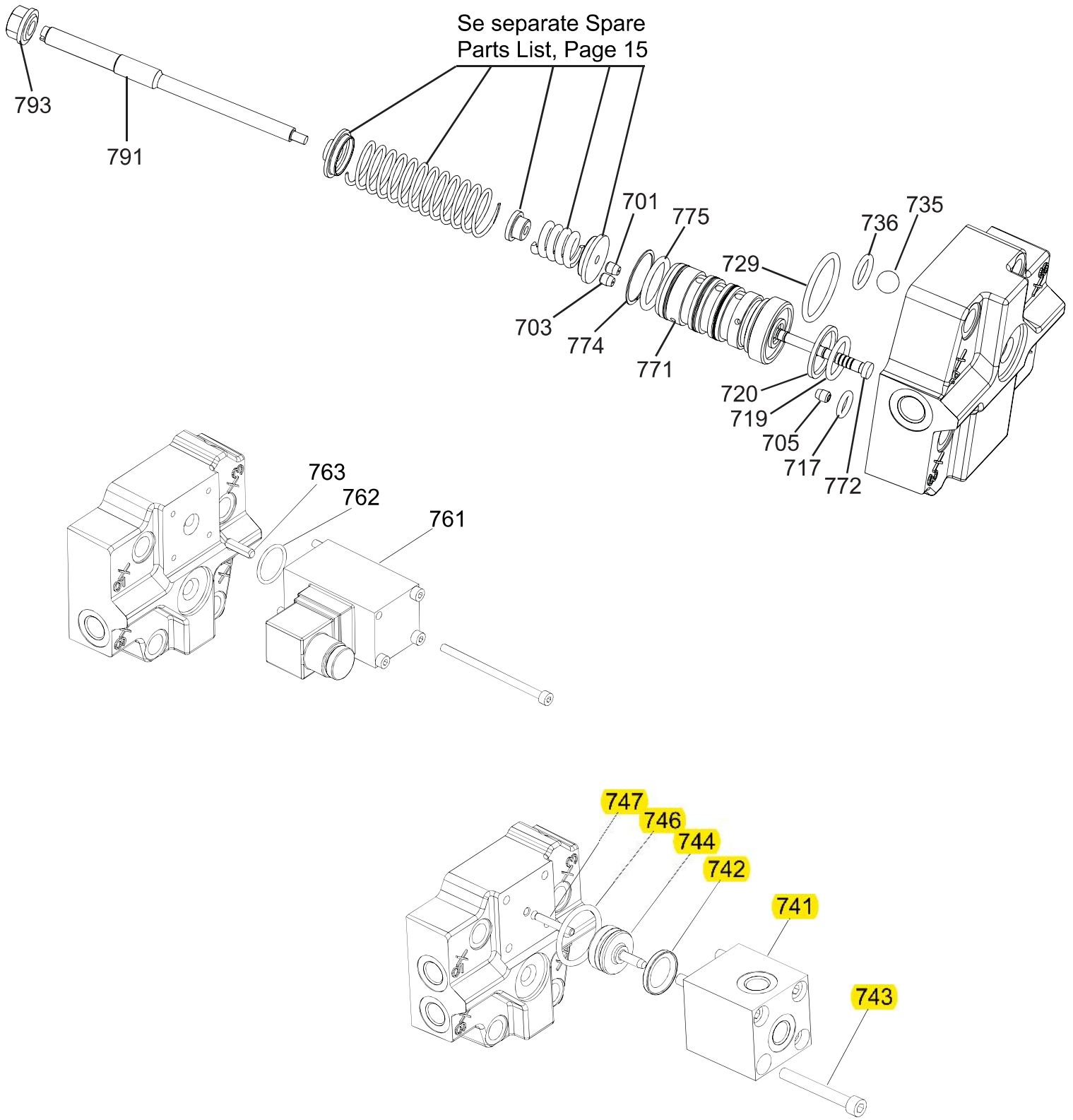


V12 Controls, General Parts, New design, see SI 14/01



V12 Controls, General Parts

Item	Part No	Title	Benämning	Qty	Remarks
51	3797064	Seal Cap	Plombering	1	Red
701		Nozzle	Munstycke		As required
703		Nozzle	Munstycke		As required
705		Nozzle	Munstycke		As required
	3704588	Nozzle 0.6	Munstycke 0,6		
	3704589	Nozzle 0.7	Munstycke 0,7		
	3704590	Nozzle 0.8	Munstycke 0,8		
	3704591	Nozzle 0.9	Munstycke 0,9		
	3704592	Nozzle 1.0	Munstycke 1,0		
	3704594	Nozzle 1.2	Munstycke 1,2		
	3704595	Nozzle 1.3	Munstycke 1,3		
	3704597	Nozzle 1.5	Munstycke 1,5		
717	976823	O-Ring 8,3*2,4 V80	O-Ring 8,3*2,4 V80	3	
729	3786716	O-Ring 28,24*2,62 V80	O-Ring 28,24*2,62 V80	1	V12-060
729	3786503	O-Ring 29,82*2,62 V80	O-Ring 29,82*2,62 V80	1	V12-080
729	3786504	O-Ring 31,42*2,62 V80	O-Ring 31,42*2,62 V80	1	V12-110
729	3786505	O-Ring 34,59*2,62 V80	O-Ring 34,59*2,62 V80	1	V12-160
735	118080	Ball	Kula	2	New design, see SI 14/01
736	3786855	O-Ring 12,3*2,4 V80	O-Ring 12,3*2,4 V80	2	New design, see SI 14/01
735	3792432	Valve Cone	Ventilkägla	2	
736	3786756	Valve Guide Assy	Ventilstyrning kpl	2	Item 737 is included
761	3789963	Solenoid 12v	Proportionalmagn. 12v	1	Repl. 3793577
761	3789962	Solenoid 24v	Proportionalmagn. 24v	1	Repl. 3793578
762	3798231	O-Ring 18,77*1,78 V80	O-Ring 18,77*1,78 V80	1	
763	3794013	Guiding Pin	Styrpinne	1	
791	3709998	Adjusting Screw	Ställskruv 60-110	1	
793	3704966	Seal Nut M8*1	Tätmutter M8*1	1	

Valve Sleeve Kit

Part no.	Title	Benämning	Qty	
3780957	Valve sleeve assy	Ventilfoder kpl	1	Viton

Items included in the Valve Sleeve Kit are 719, 720, 771, 772, 774 and 775.

Housing Type AH Kit

Part no.	Title	Benämning	Qty	
3794896	Housing Type ISO Assy	Hus Typ ISO Kpl	1	Viton
3795890	Housing Type SAE Assy	Hus Typ SAE Kpl	1	Viton

Items included in the Housing Type AH Kit are 741, 742, 743, 744, 746 and 747.